

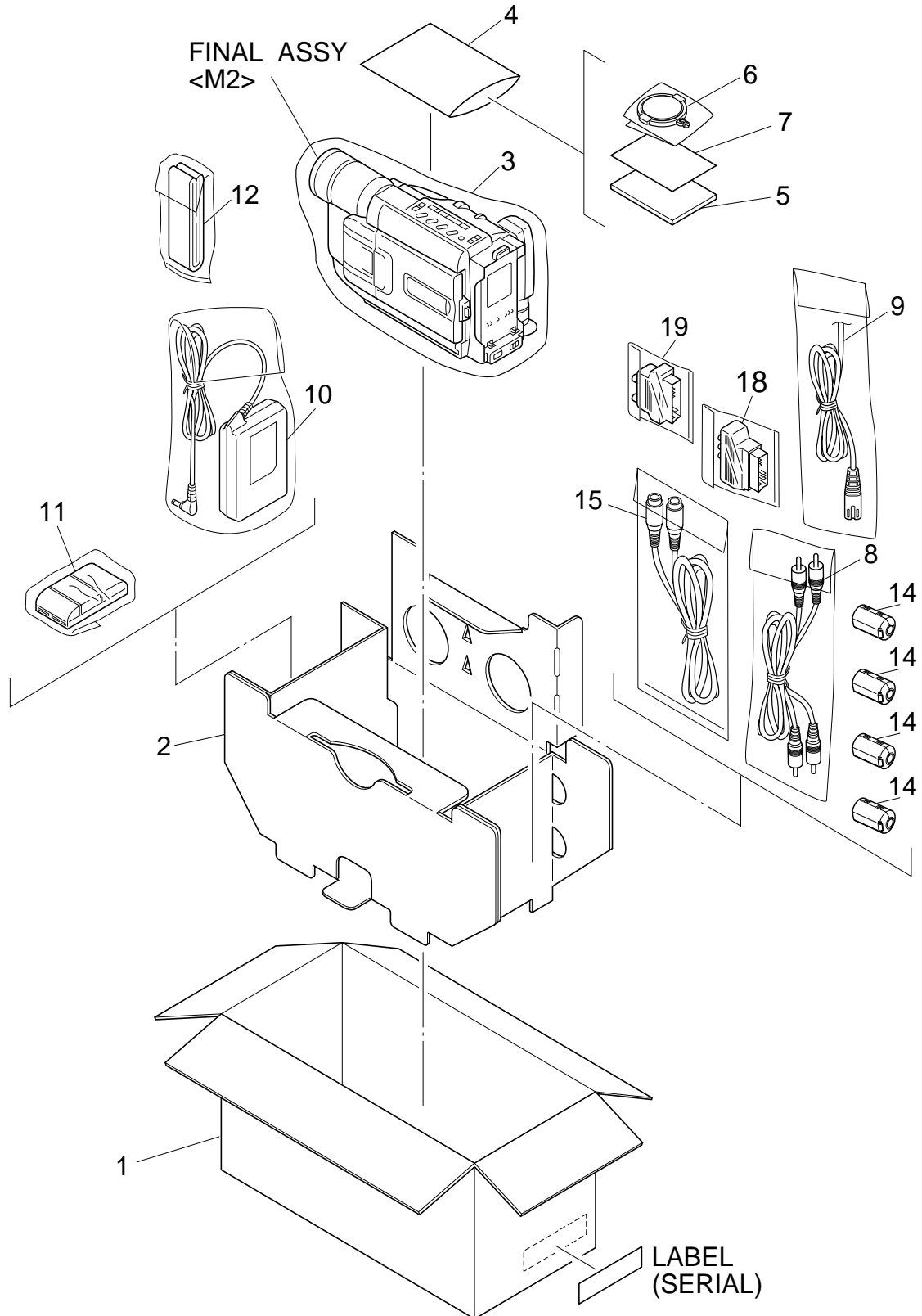
SECTION 5 PARTS LIST

SAFETY PRECAUTION

Parts identified by the  symbol are critical for safety. Replace only with specified part numbers.

5.1 PACKING AND ACCESSORY ASSEMBLY <M1>

The instruction manual to be provided with this product will differ according to the destination.



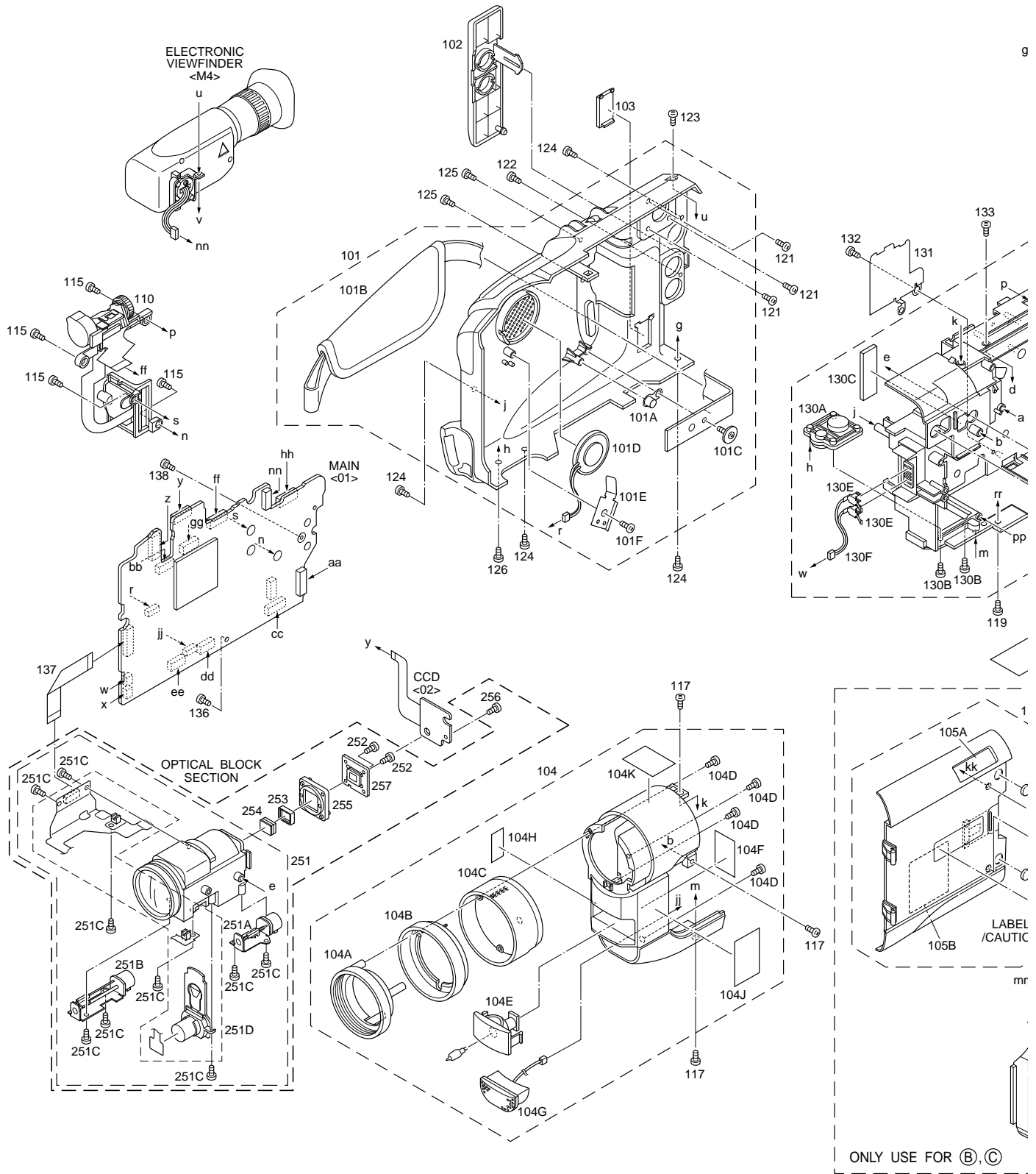
△ REF No. PART No. PART NAME, DESCRIPTION

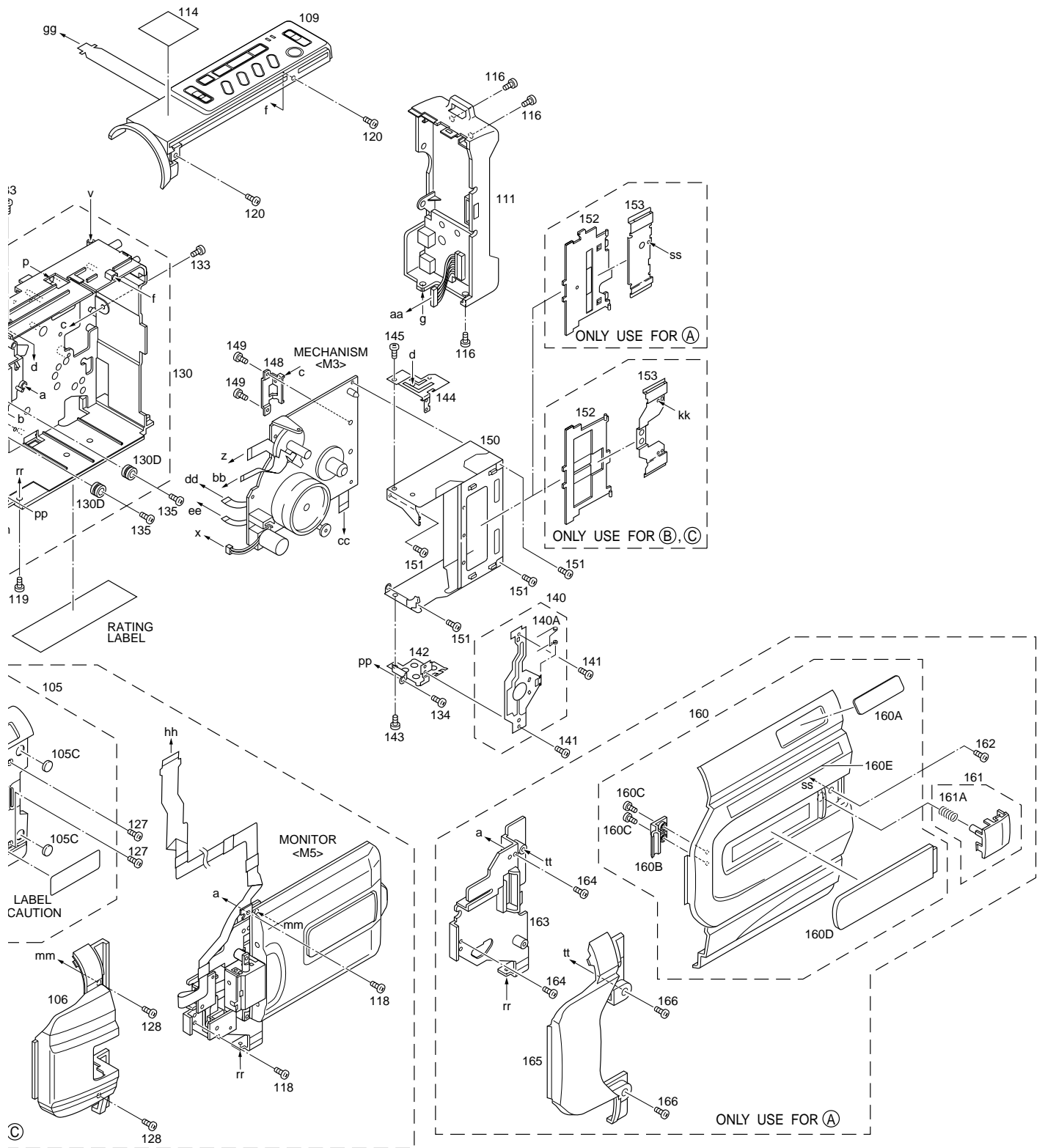
PACKING AND ACCESSORY ASSEMBLY <M1>

- 1 LY32179-003A PACKING CASE,A
- LY32179-004A PACKING CASE,B,C
- 2 LY32065-001A CUSHION
- 3 LY30023-002A POLY BAG
- 4 QPA02003506 POLY BAG
- △ 5 LYT0740-001A IB(FR)
- 6 LY41538-002B LENS CAP
- 7 BT-54008-2 GUARANTY CARD
- 8 PEAC0362-150 CABLE ASSY(AUDIO/VIDEO)
- △ 9 QMPL120-190-JR POWER CORD
- △ 10 LY20688-001B AC ADAPTER,AP-V10EG
- △ 11 YQ10629F BATTERY PACK,BN-V11U-F
- 12 LY20186-001A SHOULDER STRAP
- 14 QQR0491-002 CORE FILTER,X4
- 15 QAM0004-003 S CABLE,S-VIDEO CABLE,C
- 18 QAM0302-001 ADAPTER PLUG,C
- 19 PEMC1174 CONNECTOR,CABLE ADAPTER,A,B

MODEL	MARK
GR-SX17EG-F	A
GR-SXM27EG-F	B
GR-SXM307EGF	C

5.2 FINAL ASSEMBLY <M2>





#	△ REF No.	PART No.	PART NAME, DESCRIPTION

FINAL ASSEMBLY <M2>			
101		LY20684-003B	LOWER CASE ASSY,A
		LY20684-007A	LOWER CASE ASSY,B
		LY20684-008A	LOWER CASE ASSY,C
101A		LY40081-001A	CAP
101B		LY20682-001A	GRIP BELT
101C		LY30018-003A	SPECIAL SCREW
101D		QAS0061-001	SPEAKER,B,C
101E		LY42764-001B	HOLDER(SPEAKER),B,C
101F		QYSLSF2050Z	SCREW,B,C
102		LY31945-001C	COVER(JACK)
103		LY31946-001A	COVER(JIG)
104		LY20683-002B	FRONT COVER ASSY,A
		LY20683-013A	FRONT COVER ASSY,B
		LY20683-014A	FRONT COVER ASSY,C
104A		LY31937-001A	HOOD
104B		LY31938-001A	COVER(HOOD)
104C		LY31936-001A	RING
104D		QYSLSF2060D	SCREW,X4
104E		LY30934-015A	COVER(LIGHT),A
		LY30934-020A	COVER(LIGHT),B
		LY32040-001A	DC LIGHT,C
104F		LY30029-0B4A	SPACER(A),C
104G		LY32043-001A	MICROPHONE
104H		YQ44341-6	CAUTION LABEL,C
104J		LY32058-001A	STICKER(A),A,B
		LY32058-002A	STICKER(A),C
104K		LY32060-001A	STICKER(C),A,B
		LY32060-002A	STICKER(C),C
105		LY20694-002A	CASS.COVER(M)ASSY,B,C
105A		LY42883-001A	MARK,B,C
105B		LY40559-001A	SHIELD SHEET,B,C
105C		LY40076-001A	SPACER,X2 B,C
106		LY10257-034A	UPPER CASE(M),B
		LY10257-035A	UPPER CASE(M),C
109		LY20614-002B	TOP OPE UNIT,C
		LY20614-004B	TOP OPE UNIT,A
		LY20614-014B	TOP OPE UNIT,B
110		LY20613-001A	ZOOM UNIT
111		LY20615-003A	REAR UNIT,A
		LY20615-004A	REAR UNIT,B,C
114		LY32061-001A	STICKER(D),C
		LY32061-003A	STICKER(D),A,B
115		QYSLSF2060D	SCREW,X4
116		QYSLSF2060D	SCREW,X3
117		QYSLSF2060D	SCREW,X3
118		QYSLSF2060D	SCREW,X2 B,C
119		QYSLSP2030D	SCREW
120		QYSLSF2060D	SCREW,X2
121		QYSLSF2050Z	SCREW,X3
122		QYSLSF2060D	SCREW
123		QYSLSF2060D	SCREW
124		QYSLSF2060D	SCREW,X4
125		QYSLSF2060D	SCREW,X2
126		QYSLSF2060D	SCREW
127		QYSLSP2030D	SCREW,X2 B,C
128		QYSLSP2030D	SCREW,X2 B,C
130		LY20678-001A	FRAME ASSY,C
		LY20678-002A	FRAME ASSY,A,B

#	△ REF No.	PART No.	PART NAME, DESCRIPTION	
		130A	YQ31843	BASE
		130B	QYSLSF2060D	SCREW,X2
		130C	LY30029-0A4A	SPACER(A)
		130D	LY41082-001A	CUSHION(OP),X2
		130E	YQ43810-1-1	CONTACT(LIGHT),X2 C
		130F	WJM0167-001A	E-SI C WIRE C-F,C
		131	LY42758-001A	S.CASE(MAIN)
		132	QYSPSTU1725M	SCREW
		133	LY41173-001A	SPECIAL SCREW,X2
		134	QYSLSF1750D	SCREW
		135	LY30018-050A	SPECIAL SCREW,X2
		136	LY42981-001A	SPECIAL SCREW
		137	WJT0039-001A	E-CARD WIRE,OP-MAIN CN15
		138	QYSLSF2060D	SCREW
		140	LY31790-001A	FRONT FRAME ASSY
		140A	YQ44144-1-1	TAPE GUIDE
		141	SPSH1725M	SCREW,X2
		142	LY31807-001A	SIDE BRACKET L
		143	LY42722-003A	SCREW
		144	LY31806-001A	SIDE BRACKET R
		145	LY42722-003A	SCREW
		148	LY31816-001A	BRACKET(MECHA)
		149	LY42722-003A	SCREW,X2
		150	LY31808-001A	CASS.HOUSING ASSY
		151	LY42722-003A	SCREW,X4
		152	LY30176-001A	CASS.COV.INSIDE,B,C
			LY31294-001B	CASS.COV.INSIDE,A
		153	LY31956-001A	BRACKET(C.COV.),B,C
			LY32026-001B	BRACKET(C.C/S),A
		160	LY20680-010A	C.COVER(S)ASSY,A
		160A	LY42883-001A	MARK,A
		160B	LY32024-001A	HINGE(C.COVER),A
		160C	QYSLSF2060D	SCREW,X2 A
		160D	LY32023-001A	WINDOW(S),A
		160E	LY32059-002A	STICKER(B),A
		161	LY32041-001B	BUTTON(P)ASSY,A
		161A	LY30002-049B	COMPRES.SPRING,A
		162	QYSLSP2030D	SCREW,A
		163	LY32038-001A	U.COVER(S)ASSY,A
		164	QYSLSF2060D	SCREW,X2 A
		165	LY10272-014A	UPPER CASE(S),A
		166	QYSLSF2060D	SCREW,X2 A
- OPTICAL BLOCK SECTION -				
		251	LY30948-003A	OP BLOCK ASSY
		251A	PTY30948-002	FOCUS MOTOR
		251B	PTY30948-321	ZOOM MOTOR
		251C	PTY30151-016	SCREW,X9
		251D	PTY30948-006	IRIS MOTOR UNIT,INCL.FPC
		252	QYSPSGU2080Z	SCREW,X2
		253	LY31441-001A	SPACER RUBBER
		254	LY41370-001A	OP LPF,C
			LY41757-001A	OPTICAL LPF,A,B
		255	LY20086-001A	CCD SPACER,C
			LY20346-001A	CCD SPACER,A,B
		256	LY30018-072A	SPECIAL SCREW
		257	LYH40018-003A	CCD BASE ASSY,A,B
			LYH40018-004A	CCD BASE ASSY,C

5.3 ELECTRICAL PARTS LIST

MODEL	MARK
GR-SX17EG-F	A
GR-SXM27EG-F	B
GR-SXM307EGF	C

#	△	REF No.	PART No.	PART NAME, DESCRIPTION

MAIN BOARD ASSEMBLY <01>				
		PW	YB10310EW-02	MAIN BOARD ASSY,A
			YB10310FA-02	MAIN BOARD ASSY,B
			YB10310FB-02	MAIN BOARD ASSY,C
		IC101	UPD703039-027	IC(MICRO C ROM)
			or UPD70F3040-027	IC(MICRO C ROM)
		IC102	TC7S86FU	IC(DIGITAL)
			or SN74AHC1G86K	IC
			or MC74VHC1G86DF	IC
		IC104	AT25080N-10SC-X	IC
			or X25170S8I-2.5-X	IC
			or 25LC080-I/SN-X	IC
		IC105	M62367GP	IC
		IC106	IC-PST9327U-X	IC
		IC107	RS5C314	IC
	△	IC1601	BD6630KV	IC
		IC2001	MC74AC04DT	IC
		IC2401	NJM2149V-X	IC,B,C
		IC3001	JCY0130	IC
		IC3002	SN74AHC1G04K-X	IC
		IC3501	HA118224F	IC
		IC4001	JCY0149	IC
		IC4002	TMS4C2973-28-X	IC,C
		IC4003	UPD6467GR-506-X	IC(MICRO C ROM)
		IC4201	UPC358G2/5/-W	IC
		IC4202	BA10324AF-XE	IC
		IC4251	BA10358F-XE	IC
		IC4501	UPD16835G3	IC
		IC4702	NJM2534V	IC
		IC5201	HD49326BF	IC
		IC5202	JCY0098	IC
		IC6001	FA3698F	IC
		IC7002	MN5814	IC,B,C
		IC7006	BA4558F	IC,B,C
		IC7007	TC7S04FU	IC(DIGITAL),B,C
			or SN74AHC1G04K	IC,B,C
			or MC74VHC1G04DF	IC,B,C
		IC7008	SN74LV4052APW	IC,B,C
		Q101	2SA1774/RS/-X	TRANSISTOR
		Q102	DTC144EE	TRANSISTOR
		Q103	2SC4617/QR/-X	TRANSISTOR
		Q104	DTC144EE	TRANSISTOR
		Q105	2SA1774/RS/-X	TRANSISTOR
		Q110	DTC144EE	TRANSISTOR
		Q111	DTC114EE	TRANSISTOR
		Q112	DTC114EE	TRANSISTOR
		Q113	2SC4097/QR/-X	TRANSISTOR
		Q2001	DTA114TE	TRANSISTOR
		Q2007	PUMX1	PAIR TRANSISTOR
			or HN1C01FU/G/-X	PAIR TRANSISTOR
			or UMX1N	PAIR TRANSISTOR
		Q2008	PUMT1	PAIR TRANSISTOR
			or HN1A01FU/G/-X	PAIR TRANSISTOR
		Q2021	DTC144EE	TRANSISTOR
		Q2022	DTC144EE	TRANSISTOR
		Q2023	2SC4617/QR/-X	TRANSISTOR
		Q2071	2SC4617/QR/-X	TRANSISTOR
		Q2401	DTC144EE	TRANSISTOR,B,C

#	△	REF No.	PART No.	PART NAME, DESCRIPTION
		Q3002	PUMX1	PAIR TRANSISTOR
			or UMX1N	PAIR TRANSISTOR
			or HN1C01FU/G/-X	PAIR TRANSISTOR
		Q3003	2SC4097/QR/-X	TRANSISTOR
		Q3006	DTC144EE	TRANSISTOR
		Q3501	HN1C01FU/G/-X	PAIR TRANSISTOR
		Q3502	HN1C01FU/G/-X	PAIR TRANSISTOR
		Q3505	DTC144EE	TRANSISTOR
		Q3901	HN1A01FU/G/-X	PAIR TRANSISTOR
		Q4201	2SC4617/QR/-X	TRANSISTOR
		Q4251	RPM-22PB	PHOTO TRANSISTOR
		Q4501	DTC114EE	TRANSISTOR
		Q4701	HN1C01FU/G/-X	PAIR TRANSISTOR
		Q4702	2SC4617/QR/-X	TRANSISTOR
		Q4703	PUMX1	PAIR TRANSISTOR
			or HN1C01FU/G/-X	PAIR TRANSISTOR
		Q4704	PUMT1	PAIR TRANSISTOR
			or HN1A01FU/G/-X	PAIR TRANSISTOR
		Q4705	2SC4617/QR/-X	TRANSISTOR
		Q4706	2SC4617/QR/-X	TRANSISTOR
		Q4707	2SC4617/QR/-X	TRANSISTOR
		Q4708	2SC4617/QR/-X	TRANSISTOR
		Q4709	2SC4617/QR/-X	TRANSISTOR
		Q4710	2SC4617/QR/-X	TRANSISTOR
		Q4711	PUMX1	PAIR TRANSISTOR
			or HN1C01FU/G/-X	PAIR TRANSISTOR
		Q4712	PUMT1	PAIR TRANSISTOR
			or HN1A01FU/G/-X	PAIR TRANSISTOR
		Q4713	PUMX1	PAIR TRANSISTOR
			or HN1C01FU/G/-X	PAIR TRANSISTOR
		Q4714	PUMT1	PAIR TRANSISTOR
			or HN1A01FU/G/-X	PAIR TRANSISTOR
		Q4715	PUMX1	PAIR TRANSISTOR
			or HN1C01FU/G/-X	PAIR TRANSISTOR
		Q4716	DTC144EE	TRANSISTOR
		Q4717	DTA144EE	TRANSISTOR
		Q6101	SSM6J07FU	MOS FET
		Q6106	HN1C01FU/G/-X	PAIR TRANSISTOR
		Q6107	SSM3J05FU	MOS FET
		Q6201	SSM6J07FU	MOS FET
		Q6301	CPH3304	MOS FET
		Q6306	SSM3K02F	MOS FET,C
		Q6307	2SC4617/QR/-X	TRANSISTOR,B,C
		Q6308	CPH3101	TRANSISTOR,B,C
		Q6401	SSM6J07FU	MOS FET
		Q6501	SSM6J07FU	MOS FET
		Q6601	CPH3305	MOS FET
		Q6608	DTC144EE	TRANSISTOR
		Q6621	HN1C01FU/G/-X	PAIR TRANSISTOR
		Q6622	2SA1577/QR/-X	TRANSISTOR
		Q6701	FX802	TRANSISTOR
		Q6702	2SC4097/QR/-X	TRANSISTOR
		Q6801	2SA1577/QR/-X	TRANSISTOR
		Q6811	2SB1121/TU/-X	TRANSISTOR
		Q7003	PUMX1	PAIR TRANSISTOR,B,C
		Q7011	PUMX1	PAIR TRANSISTOR,B,C
		Q7013	PUMX1	PAIR TRANSISTOR,B,C
		Q7015	PUMX1	PAIR TRANSISTOR,B,C
		Q7017	2SC4617/QR/-X	TRANSISTOR,B,C
		Q7018	2SA1774/QR/-X	TRANSISTOR,B,C
		Q7019	2SC4617/QR/-X	TRANSISTOR,B,C

#	△	REF No.	PART No.	PART NAME, DESCRIPTION		#	△	REF No.	PART No.	PART NAME, DESCRIPTION	
		Q7020	2SA1774/QR-X	TRANSISTOR,B,C				R142	NRSA63J-103X	MG RESISTOR	10kΩ,1/16W
		Q7022	DTC144EE	TRANSISTOR,B,C				R143	NRSA63J-105X	MG RESISTOR	1MΩ,1/16W
		Q7023	2SA1774/QR-X	TRANSISTOR,A				R144	NRSA63J-221X	MG RESISTOR	220Ω,1/16W
△		D101	SB007W03Q	SB DIODE				R145	NRSA63J-222X	MG RESISTOR	2.2kΩ,1/16W
		D102	UDZS7.5B	ZENER DIODE				R146	NRSA63J-474X	MG RESISTOR	470kΩ,1/16W
		D105	1SS355	DIODE				R147	NRSA63J-472X	MG RESISTOR	4.7kΩ,1/16W
		D106	1SS355	DIODE				R148	NRSA63J-0R0X	MG RESISTOR	0Ω,1/16W
		D107	SB007W03Q	SB DIODE				R149	NRSA63J-104X	MG RESISTOR	100kΩ,1/16W
		D501	MA8068	ZENER DIODE				R150	NRSA63J-222X	MG RESISTOR	2.2kΩ,1/16W
		D502	MA8068	ZENER DIODE				R151	NRSA63J-222X	MG RESISTOR	2.2kΩ,1/16W
		D3001	DAN222	DIODE				R152	NRSA63J-474X	MG RESISTOR	470kΩ,1/16W
		D5201	1SS355	DIODE				R153	NRSA63J-474X	MG RESISTOR	470kΩ,1/16W
		D6001	CRS03	SB DIODE				R158	NRSA63J-474X	MG RESISTOR	470kΩ,1/16W
		D6101	CRS03	SB DIODE				R159	NRSA63J-474X	MG RESISTOR	470kΩ,1/16W
		D6106	1SS357	SB DIODE				R160	NRSA63J-474X	MG RESISTOR	470kΩ,1/16W
		D6201	CRS03	SB DIODE				R161	NRSA63J-104X	MG RESISTOR	100kΩ,1/16W
		D6301	CRS03	SB DIODE				R162	NRSA63J-472X	MG RESISTOR	4.7kΩ,1/16W
		D6401	CRS03	SB DIODE				R163	NRSA63J-221X	MG RESISTOR	220Ω,1/16W
		D6501	CRS03	SB DIODE				R164	NRSA63J-472X	MG RESISTOR	4.7kΩ,1/16W
		D6601	1SS383	SB DIODE				R166	NRSA63J-103X	MG RESISTOR	10kΩ,1/16W
		D6616	UDZS6.8B	ZENER DIODE,C				R167	NRSA63J-183X	MG RESISTOR	18kΩ,1/16W
			UDZS8.2B	ZENER DIODE,A,B				R168	NRSA63J-562X	MG RESISTOR	5.6kΩ,1/16W
		D7002	MA365	VARI CAP DIODE,B,C				R170	NRSA63J-333X	MG RESISTOR	33kΩ,1/16W
		D7004	RB471E	SB DIODE,B,C				R171	NRSA63J-104X	MG RESISTOR	100kΩ,1/16W
		R101	NRSA63J-104X	MG RESISTOR	100kΩ,1/16W			R172	NRSA63J-151X	MG RESISTOR	150Ω,1/16W
△		R104	NRSA63J-102X	MG RESISTOR	1kΩ,1/16W			R173	NRSA63J-0R0X	MG RESISTOR	0Ω,1/16W
		R105	NRSA63J-103X	MG RESISTOR	10kΩ,1/16W			R174	NRSA63J-0R0X	MG RESISTOR	0Ω,1/16W
		R106	NRSA63J-561X	MG RESISTOR	560Ω,1/16W			R175	NRSA63J-105X	MG RESISTOR	1MΩ,1/16W
		R107	NRVA63D-153X	CMF RESISTOR	15kΩ,1/16W			R176	NRSA63J-221X	MG RESISTOR	220Ω,1/16W
		R108	NRVA63D-243X	CMF RESISTOR	24kΩ,1/16W			R180	NRSA63J-331X	MG RESISTOR	330Ω,1/16W
		R109	NRVA63D-183X	CMF RESISTOR	18kΩ,1/16W			R182	NRSA63J-222X	MG RESISTOR	2.2kΩ,1/16W
		R110	NRSA63J-103X	MG RESISTOR	10kΩ,1/16W			R183	NRSA63J-222X	MG RESISTOR	2.2kΩ,1/16W
		R111	NRSA63J-273X	MG RESISTOR	27kΩ,1/16W			R184	NRSA63J-222X	MG RESISTOR	2.2kΩ,1/16W
		R112	NRSA63J-331X	MG RESISTOR	330Ω,1/16W			R188	NRSA63J-222X	MG RESISTOR	2.2kΩ,1/16W
		R113	NRSA63J-562X	MG RESISTOR	5.6kΩ,1/16W			R190	NRSA63J-331X	MG RESISTOR	330Ω,1/16W
		R114	NRSA63J-821X	MG RESISTOR	820Ω,1/16W			R191	NRSA63J-0R0X	MG RESISTOR	0Ω,1/16W
		R115	NRSA63J-101X	MG RESISTOR	100Ω,1/16W			R192	NRSA63J-105X	MG RESISTOR	1MΩ,1/16W
		R116	NRSA63J-102X	MG RESISTOR	1kΩ,1/16W			R195	NRSA63J-0R0X	MG RESISTOR	0Ω,1/16W
		R118	NRSA63J-103X	MG RESISTOR	10kΩ,1/16W			R504	NRSA63J-221X	MG RESISTOR	220Ω,1/16W
		R119	NRSA63J-103X	MG RESISTOR	10kΩ,1/16W			R505	NRSA63J-331X	MG RESISTOR	330Ω,1/16W
		R120	NRSA63J-273X	MG RESISTOR	27kΩ,1/16W			R1601	NRV142F-R33X	CMF RESISTOR	0.33Ω,1/4W
		R121	NRSA63J-273X	MG RESISTOR	27kΩ,1/16W			R1602	NRV142F-R33X	CMF RESISTOR	0.33Ω,1/4W
		R122	NRSA63J-393X	MG RESISTOR	39kΩ,1/16W			R1603	NRSA63J-154X	MG RESISTOR	150kΩ,1/16W
		R123	NRSA63J-104X	MG RESISTOR	100kΩ,1/16W			R1604	NRSA63J-102X	MG RESISTOR	1kΩ,1/16W
		R124	NRSA63J-104X	MG RESISTOR	100kΩ,1/16W			R1605	NRSA63J-102X	MG RESISTOR	1kΩ,1/16W
		R125	NRSA63J-273X	MG RESISTOR	27kΩ,1/16W			R1606	NRSA63J-102X	MG RESISTOR	1kΩ,1/16W
		R126	NRSA63J-153X	MG RESISTOR	15kΩ,1/16W			R1607	NRSA63J-104X	MG RESISTOR	100kΩ,1/16W
		R127	NRSA63J-221X	MG RESISTOR	220Ω,1/16W			R1608	NRSA63J-104X	MG RESISTOR	100kΩ,1/16W
		R128	NRSA63J-102X	MG RESISTOR	1kΩ,1/16W			R1609	NRSA63J-333X	MG RESISTOR	33kΩ,1/16W
		R129	NRSA63J-102X	MG RESISTOR	1kΩ,1/16W			R1610	NRSA63J-103X	MG RESISTOR	10kΩ,1/16W
		R130	NRSA63J-105X	MG RESISTOR	1MΩ,1/16W			R1612	NRSA63J-392X	MG RESISTOR	3.9kΩ,1/16W
		R131	NRSA63J-105X	MG RESISTOR	1MΩ,1/16W			R1613	NRSA63J-104X	MG RESISTOR	100kΩ,1/16W
		R132	NRSA63J-105X	MG RESISTOR	1MΩ,1/16W			R1614	NRSA63J-333X	MG RESISTOR	33kΩ,1/16W
		R133	NRSA63J-105X	MG RESISTOR	1MΩ,1/16W			R1615	NRSA63J-103X	MG RESISTOR	10kΩ,1/16W
		R134	NRSA63J-105X	MG RESISTOR	1MΩ,1/16W			R1617	NRSA63J-183X	MG RESISTOR	18kΩ,1/16W
		R135	NRSA63J-104X	MG RESISTOR	100kΩ,1/16W			R1618	NRSA63J-154X	MG RESISTOR	150kΩ,1/16W
		R136	NRSA63J-474X	MG RESISTOR	470kΩ,1/16W			R1619	NRSA63J-471X	MG RESISTOR	470Ω,1/16W
		R138	NRSA63J-333X	MG RESISTOR	33kΩ,1/16W			R1620	NRSA63J-684X	MG RESISTOR	680kΩ,1/16W
		R139	NRSA63J-104X	MG RESISTOR	100kΩ,1/16W			R1621	NRSA63J-102X	MG RESISTOR	1kΩ,1/16W
		R140	NRSA63J-753X	MG RESISTOR	75kΩ,1/16W			R1622	NRSA63J-224X	MG RESISTOR	220kΩ,1/16W
		R141	NRSA63J-334X	MG RESISTOR	330kΩ,1/16W			R1623	NRSA63J-223X	MG RESISTOR	22kΩ,1/16W

#	△	REF No.	PART No.	PART NAME, DESCRIPTION		#	△	REF No.	PART No.	PART NAME, DESCRIPTION	
R1624			NRSA63J-104X	MG RESISTOR	100kΩ, 1/16W	R3902			NRSA63J-101X	MG RESISTOR	100Ω, 1/16W
R1625			NRSA63J-104X	MG RESISTOR	100kΩ, 1/16W	R3903			NRSA63J-182X	MG RESISTOR	1.8kΩ, 1/16W
R1626			NRSA63J-104X	MG RESISTOR	100kΩ, 1/16W	R4001			NRSA63J-113X	MG RESISTOR	11kΩ, 1/16W
R1628			NRSA63J-0R0X	MG RESISTOR	0Ω, 1/16W	R4002			NRSA63J-123X	MG RESISTOR	12kΩ, 1/16W
R1629			NRSA63J-0R0X	MG RESISTOR	0Ω, 1/16W	R4003			NRSA63J-153X	MG RESISTOR	15kΩ, 1/16W
R1630			NRSA63J-0R0X	MG RESISTOR	0Ω, 1/16W	R4004			NRSA63J-103X	MG RESISTOR	10kΩ, 1/16W
R1631			NRSA63J-122X	MG RESISTOR	1.2kΩ, 1/16W	R4006			NRVA63D-103X	CMF RESISTOR	10kΩ, 1/16W
R1632			NRSA63J-153X	MG RESISTOR	15kΩ, 1/16W	R4007			NRVA63D-392X	CMF RESISTOR	3.9kΩ, 1/16W
R1633			NRSA63J-683X	MG RESISTOR	68kΩ, 1/16W	R4008			NRVA63D-272X	CMF RESISTOR	2.7kΩ, 1/16W
R2001			NRSA63J-104X	MG RESISTOR	100kΩ, 1/16W	R4009			NRVA63D-152X	CMF RESISTOR	1.5kΩ, 1/16W
R2002			NRSA63J-332X	MG RESISTOR	3.3kΩ, 1/16W	R4010			NRVA63D-122X	CMF RESISTOR	1.2kΩ, 1/16W
R2003			NRSA63J-102X	MG RESISTOR	1kΩ, 1/16W	R4011			NRVA63D-152X	CMF RESISTOR	1.5kΩ, 1/16W
R2004			NRSA63J-681X	MG RESISTOR	680Ω, 1/16W	R4012			NRVA63D-122X	CMF RESISTOR	1.2kΩ, 1/16W
R2005			NRSA63J-272X	MG RESISTOR	2.7kΩ, 1/16W	R4013			NRVA63D-152X	CMF RESISTOR	1.5kΩ, 1/16W
R2006			NRSA63J-102X	MG RESISTOR	1kΩ, 1/16W	R4014			NRVA63D-122X	CMF RESISTOR	1.2kΩ, 1/16W
R2011			NRSA63J-101X	MG RESISTOR	100Ω, 1/16W	R4036			NRSA63J-0R0X	MG RESISTOR	0Ω, 1/16W
R2012			NRSA63J-101X	MG RESISTOR	100Ω, 1/16W	R4037			NRSA63J-102X	MG RESISTOR	1kΩ, 1/16W
R2021			NRSA63J-103X	MG RESISTOR	10kΩ, 1/16W	R4201			NRSA63J-103X	MG RESISTOR	10kΩ, 1/16W
R2022			NRSA63J-334X	MG RESISTOR	330kΩ, 1/16W	R4202			NRSA63J-563X	MG RESISTOR	56kΩ, 1/16W
R2023			NRSA63J-820X	MG RESISTOR	82Ω, 1/16W	R4203			NRSA63J-103X	MG RESISTOR	10kΩ, 1/16W
R2024			NRVA63D-183X	CMF RESISTOR	18kΩ, 1/16W	R4204			NRSA63J-331X	MG RESISTOR	330Ω, 1/16W
R2025			NRSA63J-823X	MG RESISTOR	82kΩ, 1/16W	R4205			NRSA63J-105X	MG RESISTOR	1MΩ, 1/16W
R2026			NRSA63J-0R0X	MG RESISTOR	0Ω, 1/16W	R4206			NRSA63J-103X	MG RESISTOR	10kΩ, 1/16W
R2027			NRSA63J-102X	MG RESISTOR	1kΩ, 1/16W	R4207			NRSA63J-104X	MG RESISTOR	100kΩ, 1/16W
R2028			NRSA63J-102X	MG RESISTOR	1kΩ, 1/16W	R4208			NRSA63J-472X	MG RESISTOR	4.7kΩ, 1/16W
R2029			NRSA63J-0R0X	MG RESISTOR	0Ω, 1/16W	R4209			NRSA63J-104X	MG RESISTOR	100kΩ, 1/16W
R2030			NRSA63J-104X	MG RESISTOR	100kΩ, 1/16W	R4210			NRSA63J-105X	MG RESISTOR	1MΩ, 1/16W
R2031			NRSA63J-332X	MG RESISTOR	3.3kΩ, 1/16W	R4211			NRSA63J-243X	MG RESISTOR	24kΩ, 1/16W
R2032			NRSA63J-270X	MG RESISTOR	27Ω, 1/16W	R4214			NRSA63J-472X	MG RESISTOR	4.7kΩ, 1/16W
R2051			NRSA63J-102X	MG RESISTOR	1kΩ, 1/16W	R4215			NRSA63J-683X	MG RESISTOR	68kΩ, 1/16W
R2071			NRSA63J-473X	MG RESISTOR	47kΩ, 1/16W	R4216			NRSA63J-103X	MG RESISTOR	10kΩ, 1/16W
R2072			NRSA63J-562X	MG RESISTOR	5.6kΩ, 1/16W	R4217			NRSA63J-102X	MG RESISTOR	1kΩ, 1/16W
R2402			NRSA63J-332X	MG RESISTOR,B,C	3.3kΩ, 1/16W	R4218			NRSA63J-102X	MG RESISTOR	1kΩ, 1/16W
R2403			NRSA63J-103X	MG RESISTOR,B,C	10kΩ, 1/16W	R4219			NRSA63J-104X	MG RESISTOR	100kΩ, 1/16W
R3001			NRSA63J-105X	MG RESISTOR	1MΩ, 1/16W	R4220			NRSA63J-152X	MG RESISTOR	1.5kΩ, 1/16W
R3002			NRVA63D-471X	CMF RESISTOR	470Ω, 1/16W	R4221			NRSA63J-334X	MG RESISTOR	330kΩ, 1/16W
R3004			NRVA63D-333X	CMF RESISTOR	33kΩ, 1/16W	R4222			NRSA63J-154X	MG RESISTOR	150kΩ, 1/16W
R3006			NRVA63D-561X	CMF RESISTOR	560Ω, 1/16W	R4223			NRSA63J-333X	MG RESISTOR	33kΩ, 1/16W
R3007			NRVA63D-183X	CMF RESISTOR	18kΩ, 1/16W	R4224			NRSA63J-223X	MG RESISTOR	22kΩ, 1/16W
R3008			NRSA63J-393X	MG RESISTOR	39kΩ, 1/16W	R4251			NRSA63J-182X	MG RESISTOR	1.8kΩ, 1/16W
R3009			NRSA63J-272X	MG RESISTOR	2.7kΩ, 1/16W	R4252			NRSA63J-103X	MG RESISTOR	10kΩ, 1/16W
R3010			NRSA63J-332X	MG RESISTOR	3.3kΩ, 1/16W	R4253			NRSA63J-103X	MG RESISTOR	10kΩ, 1/16W
R3014			NRSA63J-681X	MG RESISTOR	680Ω, 1/16W	R4254			NRSA63J-684X	MG RESISTOR	680kΩ, 1/16W
R3015			NRSA63J-332X	MG RESISTOR	3.3kΩ, 1/16W	R4255			NRSA63J-222X	MG RESISTOR	2.2kΩ, 1/16W
R3016			NRSA63J-332X	MG RESISTOR	3.3kΩ, 1/16W	R4256			NRSA63J-824X	MG RESISTOR	820kΩ, 1/16W
R3018			NRSA63J-271X	MG RESISTOR	270Ω, 1/16W	R4257			NRSA63J-822X	MG RESISTOR	8.2kΩ, 1/16W
R3023			NRSA63J-331X	MG RESISTOR	330Ω, 1/16W	R4258			NRSA63J-104X	MG RESISTOR	100kΩ, 1/16W
R3027			NRSA63J-103X	MG RESISTOR	10kΩ, 1/16W	R4259			NRSA63J-683X	MG RESISTOR	68kΩ, 1/16W
R3028			NRVA63D-472X	CMF RESISTOR	4.7kΩ, 1/16W	R4262			NRSA63J-302X	MG RESISTOR	3kΩ, 1/16W
R3029			NRSA63J-0R0X	MG RESISTOR	0Ω, 1/16W	△	R4501		NRSA63J-6R8X	MG RESISTOR	6.8Ω, 1/16W
R3030			NRSA63J-561X	MG RESISTOR	560Ω, 1/16W	△	R4502		NRSA63J-6R8X	MG RESISTOR	6.8Ω, 1/16W
R3034			NRSA63J-220X	MG RESISTOR	22Ω, 1/16W	△	R4503		NRSA63J-6R8X	MG RESISTOR	6.8Ω, 1/16W
R3038			NRSA63J-392X	MG RESISTOR	3.9kΩ, 1/16W	△	R4504		NRSA63J-6R8X	MG RESISTOR	6.8Ω, 1/16W
R3501			NRSA63J-221X	MG RESISTOR	220Ω, 1/16W	R4505			NRSA63J-271X	MG RESISTOR	270Ω, 1/16W
R3502			NRSA63J-102X	MG RESISTOR	1kΩ, 1/16W	R4507			NRSA63J-103X	MG RESISTOR	10kΩ, 1/16W
R3504			NRSA63J-102X	MG RESISTOR	1kΩ, 1/16W	R4508			NRSA63J-103X	MG RESISTOR	10kΩ, 1/16W
R3505			NRSA63J-102X	MG RESISTOR	1kΩ, 1/16W	R4514			NRSA63J-223X	MG RESISTOR	22kΩ, 1/16W
R3506			NRSA63J-102X	MG RESISTOR	1kΩ, 1/16W	R4515			NRSA63J-182X	MG RESISTOR	1.8kΩ, 1/16W
R3507			NRSA63J-101X	MG RESISTOR	100Ω, 1/16W	R4702			NRSA63J-101X	MG RESISTOR	100Ω, 1/16W
R3508			NRSA63J-153X	MG RESISTOR	15kΩ, 1/16W	R4703			NRVA63D-561X	CMF RESISTOR	560Ω, 1/16W
R3901			NRSA63J-100X	MG RESISTOR	10Ω, 1/16W	R4704			NRVA63D-271X	CMF RESISTOR	270Ω, 1/16W

#	△	REF No.	PART No.	PART NAME, DESCRIPTION		#	△	REF No.	PART No.	PART NAME, DESCRIPTION	
R4705			NRVA63D-471X	CMF RESISTOR	470Ω,1/16W	R6015			NRSA63J-104X	MG RESISTOR	100kΩ,1/16W
R4706			NRSA63J-681X	MG RESISTOR	680Ω,1/16W	R6016			NRSA63J-104X	MG RESISTOR	100kΩ,1/16W
R4707			NRSA63J-122X	MG RESISTOR	1.2kΩ,1/16W	R6019			NRSA63J-222X	MG RESISTOR	2.2kΩ,1/16W
R4708			NRSA63J-104X	MG RESISTOR	100kΩ,1/16W	R6020			NRSA63J-224X	MG RESISTOR	220kΩ,1/16W
R4709			NRSA63J-332X	MG RESISTOR	3.3kΩ,1/16W	R6103			NRVA63D-223X	CMF RESISTOR	22kΩ,1/16W
R4710			NRSA63J-332X	MG RESISTOR	3.3kΩ,1/16W	R6104			NRVA63D-103X	CMF RESISTOR	10kΩ,1/16W
R4711			NRSA63J-151X	MG RESISTOR	150Ω,1/16W	R6106			NRSA63J-333X	MG RESISTOR	33kΩ,1/16W
R4712			NRVA63D-561X	CMF RESISTOR	560Ω,1/16W	R6107			NRSA63J-222X	MG RESISTOR	2.2kΩ,1/16W
R4713			NRSA63J-681X	MG RESISTOR	680Ω,1/16W	R6108			NRVA63D-153X	CMF RESISTOR	15kΩ,1/16W
R4714			NRSA63J-122X	MG RESISTOR	1.2kΩ,1/16W	R6109			NRVA63D-103X	CMF RESISTOR	10kΩ,1/16W
R4716			NRVA63D-621X	CMF RESISTOR	620Ω,1/16W	R6110			NRSA63J-0R0X	MG RESISTOR	0Ω,1/16W
R4717			NRVA63D-222X	CMF RESISTOR	2.2kΩ,1/16W	R6203			NRVA63D-103X	CMF RESISTOR	10kΩ,1/16W
R4718			NRSA63J-104X	MG RESISTOR	100kΩ,1/16W	R6204			NRVA63D-103X	CMF RESISTOR	10kΩ,1/16W
R4719			NRSA63J-222X	MG RESISTOR	2.2kΩ,1/16W	R6303			NRVA63D-183X	CMF RESISTOR	18kΩ,1/16W
R4721			NRVA63D-750X	CMF RESISTOR	75Ω,1/16W	R6304			NRVA63D-472X	CMF RESISTOR	4.7kΩ,1/16W
R4722			NRVA63D-680X	CMF RESISTOR	68Ω,1/16W	R6306			NRS12BK-R47W	MG RESISTOR,C	0.47Ω,1/2W
R4723			NRVA63D-680X	CMF RESISTOR	68Ω,1/16W	R6307			NRSA63J-104X	MG RESISTOR,C	100kΩ,1/16W
R4724			NRSA63J-391X	MG RESISTOR	390Ω,1/16W	R6309			NRSA63J-103X	MG RESISTOR,B,C	10kΩ,1/16W
R4725			NRSA63J-822X	MG RESISTOR	8.2kΩ,1/16W	R6310			NRSA63J-152X	MG RESISTOR,B,C	1.5kΩ,1/16W
R4726			NRSA63J-121X	MG RESISTOR	120Ω,1/16W	R6311			NRSA63J-473X	MG RESISTOR,B,C	47kΩ,1/16W
R4727			NRSA63J-102X	MG RESISTOR	1kΩ,1/16W	R6312			NRSA63J-0R0X	MG RESISTOR,A	0Ω,1/16W
R4728			NRSA63J-471X	MG RESISTOR	470Ω,1/16W	R6403			NRSA63J-473X	MG RESISTOR	47kΩ,1/16W
R4729			NRSA63J-153X	MG RESISTOR	15kΩ,1/16W	R6404			NRSA63J-302X	MG RESISTOR	3kΩ,1/16W
R4730			NRSA63J-103X	MG RESISTOR	10kΩ,1/16W	R6406			NRSA63J-183X	MG RESISTOR	18kΩ,1/16W
R4731			NRSA63J-102X	MG RESISTOR	1kΩ,1/16W	R6407			NRSA63J-823X	MG RESISTOR	82kΩ,1/16W
R4732			NRSA63J-222X	MG RESISTOR	2.2kΩ,1/16W	R6503			NRSA63J-243X	MG RESISTOR	24kΩ,1/16W
R4733			NRSA63J-102X	MG RESISTOR	1kΩ,1/16W	R6504			NRSA63J-332X	MG RESISTOR	3.3kΩ,1/16W
R4734			NRSA63J-102X	MG RESISTOR	1kΩ,1/16W	R6506			NRSA63J-223X	MG RESISTOR	22kΩ,1/16W
R4735			NRSA63J-332X	MG RESISTOR	3.3kΩ,1/16W	R6507			NRSA63J-823X	MG RESISTOR	82kΩ,1/16W
R4736			NRSA63J-332X	MG RESISTOR	3.3kΩ,1/16W	R6603			NRVA63D-683X	CMF RESISTOR	68kΩ,1/16W
R4737			NRSA63J-104X	MG RESISTOR	100kΩ,1/16W	R6604			NRVA63D-392X	CMF RESISTOR	3.9kΩ,1/16W
R4738			NRSA63J-332X	MG RESISTOR	3.3kΩ,1/16W	R6605			NRSA63J-274X	MG RESISTOR	270kΩ,1/16W
R4739			NRSA63J-332X	MG RESISTOR	3.3kΩ,1/16W	R6606			NRSA63J-272X	MG RESISTOR	2.7kΩ,1/16W
R4741			NRVA63D-152X	CMF RESISTOR	1.5kΩ,1/16W	R6612			NRSA63J-823X	MG RESISTOR	82kΩ,1/16W
R4743			NRVA63D-153X	CMF RESISTOR	15kΩ,1/16W	R6613			NRSA63J-104X	MG RESISTOR	100kΩ,1/16W
R4744			NRVA63D-222X	CMF RESISTOR	2.2kΩ,1/16W	R6614			NRSA63J-472X	MG RESISTOR	4.7kΩ,1/16W
R4745			NRSA63J-471X	MG RESISTOR	470Ω,1/16W	R6616			NRSA63J-392X	MG RESISTOR	3.9kΩ,1/16W
R4746			NRVA63D-222X	CMF RESISTOR	2.2kΩ,1/16W	R6622			NRVA63D-104X	CMF RESISTOR	100kΩ,1/16W
R4747			NRVA63D-471X	CMF RESISTOR	470Ω,1/16W	R6623			NRVA63D-473X	CMF RESISTOR	47kΩ,1/16W
R5201			NRSA63J-243X	MG RESISTOR	24kΩ,1/16W	R6624			NRSA63J-273X	MG RESISTOR	27kΩ,1/16W
R5202			NRSA63J-220X	MG RESISTOR	22Ω,1/16W	R6625			NRSA63J-822X	MG RESISTOR	8.2kΩ,1/16W
R5204			NRSA63J-0R0X	MG RESISTOR	0Ω,1/16W	R6626			NRVA63D-563X	CMF RESISTOR	56kΩ,1/16W
R5212			NRSA63J-101X	MG RESISTOR	100Ω,1/16W	R6627			NRVA63D-363X	CMF RESISTOR	36kΩ,1/16W
R5213			NRSA63J-101X	MG RESISTOR	100Ω,1/16W	R6701			NRSA63J-680X	MG RESISTOR	68Ω,1/16W
R5214			NRSA63J-101X	MG RESISTOR	100Ω,1/16W	R6702			NRSA63J-221X	MG RESISTOR	220Ω,1/16W
R5215			NRSA63J-104X	MG RESISTOR	100kΩ,1/16W	R6704			NRVA63D-472X	CMF RESISTOR	4.7kΩ,1/16W
R5216			NRSA63J-100X	MG RESISTOR	10Ω,1/16W	R6706			NRZ0058-R20X	MG RESISTOR	0.2Ω,1/2W
R5217			NRSA63J-104X	MG RESISTOR	100kΩ,1/16W	R6707			NRS016J-121X	MG RESISTOR	120Ω,1W
R5218			NRSA63J-0R0X	MG RESISTOR	0Ω,1/16W	R6708			NRS016J-121X	MG RESISTOR	120Ω,1W
R5220			NRSA63J-0R0X	MG RESISTOR	0Ω,1/16W	R6709			NRS016J-121X	MG RESISTOR	120Ω,1W
R6001			NRSA63J-104X	MG RESISTOR	100kΩ,1/16W	R6710			NRVA63D-823X	CMF RESISTOR	82kΩ,1/16W
R6002			NRSA63J-333X	MG RESISTOR	33kΩ,1/16W	R6711			NRVA63D-333X	CMF RESISTOR	33kΩ,1/16W
R6003			NRVA63D-912X	CMF RESISTOR	9.1kΩ,1/16W	R6712			NRSA63J-222X	MG RESISTOR	2.2kΩ,1/16W
R6004			NRVA63D-471X	CMF RESISTOR	470Ω,1/16W	R6713			NRSA63J-562X	MG RESISTOR	5.6kΩ,1/16W
R6005			NRVA63D-183X	CMF RESISTOR	18kΩ,1/16W	R6801			NRSA63J-102X	MG RESISTOR	1kΩ,1/16W
R6006			NRSA63J-472X	MG RESISTOR	4.7kΩ,1/16W	R6803			NRVA63D-223X	CMF RESISTOR	22kΩ,1/16W
R6008			NRVA63D-183X	CMF RESISTOR	18kΩ,1/16W	R6804			NRVA63D-103X	CMF RESISTOR	10kΩ,1/16W
R6009			NRSA63J-224X	MG RESISTOR	220kΩ,1/16W	R6810			NRSA63J-0R0X	MG RESISTOR	0Ω,1/16W
R6010			NRSA63J-473X	MG RESISTOR	47kΩ,1/16W	R6811			NRSA63J-102X	MG RESISTOR	1kΩ,1/16W
R6011			NRSA63J-473X	MG RESISTOR	47kΩ,1/16W	R6813			NRVA63D-104X	CMF RESISTOR	100kΩ,1/16W
R6012			NRSA63J-103X	MG RESISTOR	10kΩ,1/16W	R6814			NRVA63D-683X	CMF RESISTOR	68kΩ,1/16W

#	△	REF No.	PART No.	PART NAME, DESCRIPTION		#	△	REF No.	PART No.	PART NAME, DESCRIPTION	
R6820			NRSA63J-102X	MG RESISTOR	1kΩ, 1/16W	C103			NBE41AM-106X	T CAPACITOR	10μF, 10V
R6961			NRSA63J-223X	MG RESISTOR	22kΩ, 1/16W	C104			NCB31EK-103X	CAPACITOR	0.01μF, 25V
R7009			NRSA63J-0R0X	MG RESISTOR	0Ω, 1/16W	C105			NCB31CK-104X	CAPACITOR	0.1μF, 16V
R7010			NRSA63J-0R0X	MG RESISTOR	0Ω, 1/16W	C106			NCF31EZ-104X	CAPACITOR	0.1μF, 25V
R7031			NRSA63J-474X	MG RESISTOR, B,C	470kΩ, 1/16W	C107			NCB31EK-103X	CAPACITOR	0.01μF, 25V
R7032			NRSA63J-223X	MG RESISTOR, B,C	22kΩ, 1/16W	C108			NBE21AM-225X	T CAPACITOR	2.2μF, 10V
R7033			NRSA63J-104X	MG RESISTOR, B,C	100kΩ, 1/16W	C109			NBE41AM-106X	T CAPACITOR	10μF, 10V
R7035			NRSA63J-103X	MG RESISTOR, B,C	10kΩ, 1/16W	C110			NDC31HJ-101X	CAPACITOR	100pF, 50V
R7040			NRVA63D-333X	CMF RESISTOR, B,C	33kΩ, 1/16W	C111			NEA70JM-226X	E CAPACITOR	22μF, 6.3V
R7042			NRVA63D-123X	CMF RESISTOR, B,C	12kΩ, 1/16W	C112			NEA70JM-226X	E CAPACITOR	22μF, 6.3V
R7043			NRVA63D-123X	CMF RESISTOR, B,C	12kΩ, 1/16W	C113			NCB31EK-103X	CAPACITOR	0.01μF, 25V
R7044			NRVA63D-752X	CMF RESISTOR, B,C	7.5kΩ, 1/16W	C114			NCB31EK-103X	CAPACITOR	0.01μF, 25V
R7045			NRVA63D-103X	CMF RESISTOR, B,C	10kΩ, 1/16W	C115			NCF31EZ-104X	CAPACITOR	0.1μF, 25V
R7046			NRSA63J-103X	MG RESISTOR, B,C	10kΩ, 1/16W	C116			NCB31EK-103X	CAPACITOR	0.01μF, 25V
R7049			NRSA63J-680X	MG RESISTOR, B,C	68Ω, 1/16W	C118			NCF31EZ-104X	CAPACITOR	0.1μF, 25V
R7050			NRSA63J-680X	MG RESISTOR, B,C	68Ω, 1/16W	C119			NCB31EK-103X	CAPACITOR	0.01μF, 25V
R7051			NRSA63J-680X	MG RESISTOR, B,C	68Ω, 1/16W	C120			NCB31EK-103X	CAPACITOR	0.01μF, 25V
R7057			NRSA63J-0R0X	MG RESISTOR, B,C	0Ω, 1/16W	C121			NCF31EZ-104X	CAPACITOR	0.1μF, 25V
R7067			NRSA63J-223X	MG RESISTOR, B,C	22kΩ, 1/16W	C122			NCF31EZ-104X	CAPACITOR	0.1μF, 25V
R7068			NRSA63J-223X	MG RESISTOR, B,C	22kΩ, 1/16W	C123			NDC31HJ-100X	CAPACITOR	10pF, 50V
R7069			NRSA63J-223X	MG RESISTOR, B,C	22kΩ, 1/16W	C124			NDC31HJ-100X	CAPACITOR	10pF, 50V
R7070			NRSA63J-223X	MG RESISTOR, B,C	22kΩ, 1/16W	C125			NCB31EK-103X	CAPACITOR	0.01μF, 25V
R7071			NRSA63J-223X	MG RESISTOR, B,C	22kΩ, 1/16W	C126			NDC31HJ-120X	CAPACITOR	12pF, 50V
R7072			NRSA02J-182X	MG RESISTOR, B,C	1.8kΩ, 1/10W	C127			NCB31CK-333X	CAPACITOR	0.033μF, 16V
R7073			NRSA02J-331X	MG RESISTOR, B,C	330Ω, 1/10W	C128			NCB21CK-474X	CAPACITOR	0.47μF, 16V
R7074			NRSA63J-103X	MG RESISTOR, B,C	10kΩ, 1/16W	C129			NCB31CK-333X	CAPACITOR	0.033μF, 16V
R7077			NRVA63D-682X	CMF RESISTOR, B,C	6.8kΩ, 1/16W	C131			NCF31EZ-104X	CAPACITOR	0.1μF, 25V
R7083			NRSA63J-105X	MG RESISTOR, B,C	1MΩ, 1/16W	C132			NCF31EZ-104X	CAPACITOR	0.1μF, 25V
R7086			NRVA63D-123X	CMF RESISTOR, B,C	12kΩ, 1/16W	C133			NCF31EZ-104X	CAPACITOR	0.1μF, 25V
R7091			NRVA63D-123X	CMF RESISTOR, B,C	12kΩ, 1/16W	C134			NCF31EZ-104X	CAPACITOR	0.1μF, 25V
R7093			NRVA63D-223X	CMF RESISTOR, B,C	22kΩ, 1/16W	C1201			NCB31HK-102X	CAPACITOR	0.001μF, 50V
R7096			NRVA63D-123X	CMF RESISTOR, B,C	12kΩ, 1/16W	C1202			NBE20JM-106X	T CAPACITOR	10μF, 6.3V
R7110			NRSA63J-105X	MG RESISTOR, B,C	1MΩ, 1/16W	C1205			NCB31EK-153X	CAPACITOR	0.015μF, 25V
R7112			NRVA63D-332X	CMF RESISTOR, B,C	3.3kΩ, 1/16W	C1206			NBE20JM-106X	T CAPACITOR	10μF, 6.3V
R7114			NRVA63D-223X	CMF RESISTOR, B,C	22kΩ, 1/16W	C1601			NCB31EK-103X	CAPACITOR	0.01μF, 25V
R7116			NRVA63D-332X	CMF RESISTOR, B,C	3.3kΩ, 1/16W	C1602			NCB21CK-224X	CAPACITOR	0.22μF, 16V
R7118			NRVA63D-223X	CMF RESISTOR, B,C	22kΩ, 1/16W	C1603			NCB31CK-223X	CAPACITOR	0.022μF, 16V
R7120			NRVA63D-332X	CMF RESISTOR, B,C	3.3kΩ, 1/16W	C1604			NCB31CK-223X	CAPACITOR	0.022μF, 16V
R7122			NRVA63D-223X	CMF RESISTOR, B,C	22kΩ, 1/16W	C1605			NCB31CK-223X	CAPACITOR	0.022μF, 16V
R7124			NRVA63D-103X	CMF RESISTOR, B,C	10kΩ, 1/16W	C1606			NCB31CK-104X	CAPACITOR	0.1μF, 16V
R7127			NRVA63D-103X	CMF RESISTOR, B,C	10kΩ, 1/16W	C1607			NCB31CK-104X	CAPACITOR	0.1μF, 16V
R7128			NRVA63D-103X	CMF RESISTOR, B,C	10kΩ, 1/16W	C1608			NCB31CK-683X	CAPACITOR	0.068μF, 16V
R7129			NRVA63D-103X	CMF RESISTOR, B,C	10kΩ, 1/16W	C1609			NCB31CK-104X	CAPACITOR	0.1μF, 16V
R7130			NRVA63D-103X	CMF RESISTOR, B,C	10kΩ, 1/16W	C1610			NCB31CK-104X	CAPACITOR	0.1μF, 16V
R7131			NRVA63D-103X	CMF RESISTOR, B,C	10kΩ, 1/16W	C1611			NCB31CK-104X	CAPACITOR	0.1μF, 16V
R7132			NRVA63D-103X	CMF RESISTOR, B,C	10kΩ, 1/16W	C1612			NDC31HJ-331X	CAPACITOR	330pF, 50V
R7137			NRVA63D-911X	CMF RESISTOR, A	910Ω, 1/16W	C1613			NCB21CK-334X	CAPACITOR	0.33μF, 16V
R7138			NRVA63D-271X	CMF RESISTOR, A	270Ω, 1/16W	C1614			NBE41AM-226X	T CAPACITOR	22μF, 10V
R7139			NRVA63D-911X	CMF RESISTOR, B,C	910Ω, 1/16W	C1615			NCB31HK-681X	CAPACITOR	680pF, 50V
R7143			NRSA63J-0R0X	MG RESISTOR, B,C	0Ω, 1/16W	C1616			NCB21CK-474X	CAPACITOR	0.47μF, 16V
R7213			NRSA63J-0R0X	MG RESISTOR, B,C	0Ω, 1/16W	C1617			NCB31HK-152X	CAPACITOR	0.0015μF, 50V
RA101			NRZ0038-222X	NETWORK RESISTOR	2.2kΩ	C1618			NBE21AM-106X	T CAPACITOR	10μF, 10V
RA102			NRZ0038-222X	NETWORK RESISTOR	2.2kΩ	C1619			NCB31CK-223X	CAPACITOR	0.022μF, 16V
RA103			NRZ0038-222X	NETWORK RESISTOR	2.2kΩ	C1620			NCB31HK-472X	CAPACITOR	0.0047μF, 50V
RA104			NRZ0038-222X	NETWORK RESISTOR	2.2kΩ	C1621			NBP41CM-106X	T CAPACITOR	10μF, 16V
RA105			NRZ0038-473X	NETWORK RESISTOR	47kΩ	C2001			NBE20JM-106X	T CAPACITOR	10μF, 6.3V
RA106			NRZ0037-331X	NETWORK RESISTOR	330Ω	C2002			NFV41HJ-183X	MPPS CAPACITOR	0.018μF, 50V
RA107			NRZ0034-102W	NETWORK RESISTOR	1kΩ	C2003			NDC31HJ-331X	CAPACITOR	330pF, 50V
RA108			NRZ0034-102W	NETWORK RESISTOR	1kΩ	C2004			NBE20JM-226X	T CAPACITOR	22μF, 6.3V
RA109			NRZ0038-474X	NETWORK RESISTOR	470kΩ	C2005			NCB21CK-105X	CAPACITOR	1μF, 16V
C102			NCF31EZ-104X	CAPACITOR	0.1μF, 25V	C2021			NCB31EK-103X	CAPACITOR	0.01μF, 25V

#	△	REF No.	PART No.	PART NAME, DESCRIPTION		#	△	REF No.	PART No.	PART NAME, DESCRIPTION	
C2022			NBE20JM-156X	T CAPACITOR	15μF,6.3V	C4022			NCF31EZ-104X	CAPACITOR	0.1μF,25V
C2023			NBP21CM-105X	T CAPACITOR	1μF,16V	C4024			NCF31EZ-104X	CAPACITOR	0.1μF,25V
C2024			NCB31HK-102X	CAPACITOR	0.001μF,50V	C4028			NCF31EZ-104X	CAPACITOR	0.1μF,25V
C2025			NCB30JK-105X	CAPACITOR	1μF,6.3V	C4029			NCF31EZ-104X	CAPACITOR	0.1μF,25V
C2026			NCB31HK-222X	CAPACITOR	0.0022μF,50V	C4030			NCF31EZ-104X	CAPACITOR	0.1μF,25V
C2027			NCB30JK-474X	CAPACITOR	0.47μF,6.3V	C4036			NCF31EZ-104X	CAPACITOR	0.1μF,25V
C2028			NCB30JK-105X	CAPACITOR	1μF,6.3V	C4040			NCB21CK-105X	CAPACITOR,C	1μF,16V
C2029			NCB30JK-105X	CAPACITOR	1μF,6.3V	C4044			NCB21CK-105X	CAPACITOR	1μF,16V
C2031			NCB31CK-104X	CAPACITOR	0.1μF,16V	C4048			NCB10JK-106X	CAPACITOR	10μF,6.3V
C2032			NCB31HK-472X	CAPACITOR	0.0047μF,50V	C4049			NDC31HJ-100X	CAPACITOR	10pF,50V
C2033			NBE20JM-475X	T CAPACITOR	4.7μF,6.3V	C4051			NDC31HJ-221X	CAPACITOR	220pF,50V
C2034			NCB31CK-104X	CAPACITOR	0.1μF,16V	C4201			NEA71HM-225X	E CAPACITOR	2.2μF,50V
C2035			NBE20JM-226X	T CAPACITOR	22μF,6.3V	C4202			NCF31EZ-104X	CAPACITOR	0.1μF,25V
C2036			NBE20JM-106X	T CAPACITOR	10μF,6.3V	C4203			NCB31CK-104X	CAPACITOR	0.1μF,16V
C2037			NBE20JM-226X	T CAPACITOR	22μF,6.3V	C4205			NCB31EK-103X	CAPACITOR	0.01μF,25V
C2038			NCB30JK-474X	CAPACITOR	0.47μF,6.3V	C4206			NCB31CK-104X	CAPACITOR	0.1μF,16V
C2051			NCB31EK-103X	CAPACITOR	0.01μF,25V	C4207			NCB31EK-103X	CAPACITOR	0.01μF,25V
C2071			NBE20JM-106X	T CAPACITOR	10μF,6.3V	C4208			NCB31CK-104X	CAPACITOR	0.1μF,16V
C2072			NCB31HK-222X	CAPACITOR	0.0022μF,50V	C4209			NCF21CZ-105X	CAPACITOR	1μF,16V
C2401			NEA70GM-476X	E CAPACITOR,B,C	47μF,4.0V	C4210			NCF21CZ-105X	CAPACITOR	1μF,16V
C2402			NCB30JK-105X	CAPACITOR,B,C	1μF,6.3V	C4251			NEA71HM-335X	E CAPACITOR	3.3μF,50V
C2403			NBE20JM-475X	T CAPACITOR	4.7μF,6.3V	C4252			NCB31CK-104X	CAPACITOR	0.1μF,16V
C3002			NCB21CK-105X	CAPACITOR	1μF,16V	C4253			NCB31EK-153X	CAPACITOR	0.015μF,25V
C3003			NCB21CK-105X	CAPACITOR	1μF,16V	C4254			NCB31EK-153X	CAPACITOR	0.015μF,25V
C3004			NCF31EZ-104X	CAPACITOR	0.1μF,25V	C4256			NEA71CM-106X	E CAPACITOR	10μF,16V
C3005			NCF31EZ-104X	CAPACITOR	0.1μF,25V	C4503			NEA70JM-107X	E CAPACITOR	100μF,6.3V
C3006			NDC31HG-100X	CAPACITOR	10pF,50V	C4504			NCF31EZ-104X	CAPACITOR	0.1μF,25V
C3007			NDC31HG-100X	CAPACITOR	10pF,50V	C4505			NDC31HJ-330X	CAPACITOR	33pF,50V
C3009			NCF31EZ-104X	CAPACITOR	0.1μF,25V	C4506			NCB31HK-102X	CAPACITOR	0.001μF,50V
C3011			NCF31EZ-104X	CAPACITOR	0.1μF,25V	C4507			NCB31HK-102X	CAPACITOR	0.001μF,50V
C3012			NCF31EZ-104X	CAPACITOR	0.1μF,25V	C4508			NCB31HK-102X	CAPACITOR	0.001μF,50V
C3013			NCF31EZ-104X	CAPACITOR	0.1μF,25V	C4509			NCB31HK-102X	CAPACITOR	0.001μF,50V
C3014			NCF31EZ-104X	CAPACITOR	0.1μF,25V	C4510			NCB31CK-104X	CAPACITOR	0.1μF,16V
C3015			NCF31EZ-104X	CAPACITOR	0.1μF,25V	C4511			NCF31EZ-104X	CAPACITOR	0.1μF,25V
C3017			NCF31EZ-104X	CAPACITOR	0.1μF,25V	C4701			NBE20JM-106X	T CAPACITOR	10μF,6.3V
C3019			NCB31EK-103X	CAPACITOR	0.01μF,25V	C4702			NCF31EZ-104X	CAPACITOR	0.1μF,25V
C3020			NCB31EK-103X	CAPACITOR	0.01μF,25V	C4703			NBE20JM-106X	T CAPACITOR	10μF,6.3V
C3027			NCB31EK-103X	CAPACITOR	0.01μF,25V	C4704			NCB21CK-105X	CAPACITOR	1μF,16V
C3028			NCB31EK-103X	CAPACITOR	0.01μF,25V	C4705			NDC31HJ-820X	CAPACITOR	82pF,50V
C3033			NCB31CK-104X	CAPACITOR	0.1μF,16V	C4706			NDC31HJ-150X	CAPACITOR	15pF,50V
C3037			NDC31HJ-100X	CAPACITOR	10pF,50V	C4707			NCB21CK-105X	CAPACITOR	1μF,16V
C3506			NCB31EK-103X	CAPACITOR	0.01μF,25V	C4708			NDC31HJ-820X	CAPACITOR	82pF,50V
C3507			NCB31EK-103X	CAPACITOR	0.01μF,25V	C4709			NDC31HJ-150X	CAPACITOR	15pF,50V
C3508			NCB31EK-103X	CAPACITOR	0.01μF,25V	C4710			NCB31EK-103X	CAPACITOR	0.01μF,25V
C3509			NDC31HJ-221X	CAPACITOR	220pF,50V	C4711			NCB21CK-105X	CAPACITOR	1μF,16V
C3510			NCB31CK-104X	CAPACITOR	0.1μF,16V	C4712			NCB31EK-103X	CAPACITOR	0.01μF,25V
C3512			NCB10JK-106X	CAPACITOR	10μF,6.3V	C4713			NCB21CK-105X	CAPACITOR	1μF,16V
C3513			NCB31CK-223X	CAPACITOR	0.022μF,16V	C4714			NCB31EK-103X	CAPACITOR	0.01μF,25V
C3514			NCB21CK-105X	CAPACITOR	1μF,16V	C4715			NCB21CK-105X	CAPACITOR	1μF,16V
C3515			NCB31EK-103X	CAPACITOR	0.01μF,25V	C4717			NCB31EK-103X	CAPACITOR	0.01μF,25V
C3516			NDC31HJ-100X	CAPACITOR	10pF,50V	C4718			NDC31HJ-240X	CAPACITOR	24pF,50V
C3902			NCB31EK-103X	CAPACITOR	0.01μF,25V	C4719			NCB31EK-103X	CAPACITOR	0.01μF,25V
C3903			NDC31HJ-3R0X	CAPACITOR	3pF,50V	C5203			NCB10JK-106X	CAPACITOR	10μF,6.3V
C4006			NCF31EZ-104X	CAPACITOR	0.1μF,25V	C5207			NCB31EK-103X	CAPACITOR	0.01μF,25V
C4008			NCF31EZ-104X	CAPACITOR	0.1μF,25V	C5208			NCB31EK-103X	CAPACITOR	0.01μF,25V
C4009			NCF31EZ-104X	CAPACITOR	0.1μF,25V	C5209			NCB31EK-103X	CAPACITOR	0.01μF,25V
C4010			NCF31EZ-104X	CAPACITOR	0.1μF,25V	C5210			NCF31EZ-104X	CAPACITOR	0.1μF,25V
C4012			NCF31EZ-104X	CAPACITOR	0.1μF,25V	C5211			NCB21CK-105X	CAPACITOR	1μF,16V
C4014			NCF31EZ-104X	CAPACITOR	0.1μF,25V	C5212			NCB21CK-105X	CAPACITOR	1μF,16V
C4017			NCF31EZ-104X	CAPACITOR	0.1μF,25V	C5213			NCB31HK-332X	CAPACITOR	0.0033μF,50V
C4019			NCF31EZ-104X	CAPACITOR	0.1μF,25V	C5214			NCB31EK-103X	CAPACITOR	0.01μF,25V

#	△	REF No.	PART No.	PART NAME, DESCRIPTION	#	△	REF No.	PART No.	PART NAME, DESCRIPTION
C5218			NCF31EZ-104X	CAPACITOR	C6606		NCF21CZ-105X	CAPACITOR	1μF,16V
C5219			NBP21CM-685X	T CAPACITOR	C6607		NCB11EK-105X	CAPACITOR	1μF,25V
C5221			NCB11EK-105X	CAPACITOR	C6610		NCB31EK-103X	CAPACITOR	0.01μF,25V
C5222			NCB31CK-104X	CAPACITOR	C6616		NCB21CK-105X	CAPACITOR	1μF,16V
C5223			NCF31EZ-104X	CAPACITOR	C6622		NCB21CK-105X	CAPACITOR	1μF,16V
C5225			NCF31EZ-104X	CAPACITOR	C6700		NCB31HK-272X	CAPACITOR	0.0027μF,50V
C5227			NCB31CK-104X	CAPACITOR	C6701		NCF21CZ-105X	CAPACITOR	1μF,16V
C5228			NCF31EZ-104X	CAPACITOR	C6702		NCB41CK-106X	CAPACITOR	10μF,16V
C5229			NCB11EK-105X	CAPACITOR	C6711		NCB21HK-472X	CAPACITOR	0.0047μF,50V
C5230			NCB21EK-104X	CAPACITOR	C6802		NCF21CZ-105X	CAPACITOR	1μF,16V
C5232			NDC31HJ-100X	CAPACITOR	C6805		NCB31HK-102X	CAPACITOR	0.001μF,50V
C5233			NDC31HJ-100X	CAPACITOR	C6810		NCB31EK-103X	CAPACITOR	0.01μF,25V
C5234			NDC31HJ-100X	CAPACITOR	C6812		NCF21CZ-105X	CAPACITOR	1μF,16V
C5235			NDC31HJ-100X	CAPACITOR	C6820		NCB31HK-102X	CAPACITOR	0.001μF,50V
C5236			NDC31HJ-100X	CAPACITOR	C7001		NCB31EK-103X	CAPACITOR	0.01μF,25V
C5237			NDC31HJ-100X	CAPACITOR	C7002		NBE20JM-106X	T CAPACITOR	10μF,6.3V
C6002			NEA71CM-106X	E CAPACITOR	C7013		NCB30JK-105X	C CAPACITOR	1μF,6.3V
C6004			NCF21CZ-105X	CAPACITOR	C7019		NDC31HJ-121X	CAPACITOR,B,C	120pF,50V
C6005			NCB21CK-105X	CAPACITOR	C7020		NDC31HJ-151X	CAPACITOR,B,C	150pF,50V
C6006			NCF21CZ-105X	CAPACITOR	C7021		NBP41EM-475X	T CAPACITOR	4.7μF,25V
C6007			NCB21CK-105X	CAPACITOR	C7022		NCB31EK-103X	CAPACITOR,B,C	0.01μF,25V
C6009			NDC31HJ-820X	CAPACITOR	C7023		NCB31EK-103X	CAPACITOR,B,C	0.01μF,25V
C6010			NCB21CK-224X	CAPACITOR	C7024		NBP41EM-475X	T CAPACITOR	4.7μF,25V
C6011			NCB21CK-104X	CAPACITOR	C7025		NCB31EK-103X	CAPACITOR,B,C	0.01μF,25V
C6012			NCB21CK-224X	CAPACITOR	C7026		NBE20JM-106X	T CAPACITOR	10μF,6.3V
C6013			NCB31EK-473X	CAPACITOR	C7028		NCB31EK-103X	CAPACITOR,B,C	0.01μF,25V
C6014			NCB31EK-473X	CAPACITOR	C7029		NCB31CK-104X	CAPACITOR,B,C	0.1μF,16V
C6015			NCB31EK-473X	CAPACITOR	C7030		NCB31EK-103X	CAPACITOR,B,C	0.01μF,25V
C6016			NCB31EK-473X	CAPACITOR	C7031		NDC31HJ-220X	CAPACITOR,B,C	22pF,50V
C6017			NCF21CZ-105X	CAPACITOR	C7032		NCB31CK-104X	CAPACITOR,B,C	0.1μF,16V
C6101			NCB21CK-105X	CAPACITOR	C7033		NCB21CK-334X	CAPACITOR,B,C	0.33μF,16V
C6102			NCB10JK-106X	CAPACITOR	C7034		NDC31HJ-331X	CAPACITOR,B,C	330pF,50V
C6105			NCB31HK-102X	CAPACITOR	C7035		NDC31HJ-330X	CAPACITOR,B,C	33pF,50V
C6106			NCF21CZ-105X	CAPACITOR	C7036		NCB31CK-104X	CAPACITOR,B,C	0.1μF,16V
C6107			NCF21CZ-105X	CAPACITOR	C7037		NDC31HJ-330X	CAPACITOR,B,C	33pF,50V
C6108			NCF21CZ-105X	CAPACITOR	C7038		NCB31EK-103X	CAPACITOR,B,C	0.01μF,25V
C6110			NCB31HK-152X	CAPACITOR	C7039		NBP41CM-106X	T CAPACITOR	10μF,16V
C6201			NCB21CK-105X	CAPACITOR	C7042		NCB31EK-103X	CAPACITOR,B,C	0.01μF,25V
C6202			NCB10JK-106X	CAPACITOR	C7045		NDC31HJ-100X	CAPACITOR	10pF,50V
C6203			NEA70JM-476X	E CAPACITOR	C7046		NDC31HJ-100X	CAPACITOR	10pF,50V
C6205			NCB31HK-472X	CAPACITOR	C7047		NDC31HJ-100X	CAPACITOR	10pF,50V
C6210			NCB31EK-103X	CAPACITOR	C7048		NBE20JM-106X	T CAPACITOR	10μF,6.3V
C6301			NCB11CK-225X	CAPACITOR	C7051		NCB31EK-103X	CAPACITOR,B,C	0.01μF,25V
C6302			NCB10JK-106X	CAPACITOR	C7052		NBE20JM-106X	T CAPACITOR	10μF,6.3V
C6303			NEA70JM-226X	E CAPACITOR	C7053		NCB31EK-103X	CAPACITOR,B,C	0.01μF,25V
C6305			NCB31HK-561X	CAPACITOR	C7054		NBP41EM-475X	T CAPACITOR	4.7μF,25V
C6307			NEA71CM-106X	E CAPACITOR,C	C7057		NCB31EK-682X	CAPACITOR,B,C	0.0068μF,25V
C6308			NBE20JM-106X	T CAPACITOR	C7059		NBP41EM-475X	T CAPACITOR	4.7μF,25V
C6310			NCB31HK-102X	CAPACITOR	C7060		NCB11CK-225X	CAPACITOR,B,C	2.2μF,16V
C6401			NCB21CK-105X	CAPACITOR	C7064		NCB11EK-105X	CAPACITOR,B,C	1μF,25V
C6402			NCF21CZ-105X	CAPACITOR	C7065		NCB11EK-105X	CAPACITOR,B,C	1μF,25V
C6406			NCB31CK-683X	CAPACITOR	C7066		NCB11EK-105X	CAPACITOR,B,C	1μF,25V
C6410			NCB21CK-474X	CAPACITOR	C7067		NCB31CK-104X	CAPACITOR,B,C	0.1μF,16V
C6501			NCB21CK-105X	CAPACITOR	C7069		NCB31EK-103X	CAPACITOR,B,C	0.01μF,25V
C6502			NCF21CZ-105X	CAPACITOR	L101		NQL034K-330X	COIL	33μH
C6506			NCB21CK-224X	CAPACITOR	L501		NQR0129-002X	FERRITE BEAD	
C6510			NCB31CK-104X	CAPACITOR	L1601		NQL38DK-100X	COIL	10μH
C6601			NCB11CK-225X	CAPACITOR	L1602		NQL144K-100X	COIL	10μH
C6602			NCF21CZ-105X	CAPACITOR	L2001		NQL144K-101X	COIL	100μH
C6603			NCB11CK-475X	CAPACITOR	L2003		NQL034K-470X	COIL	47μH
C6605			NDC31HJ-331X	CAPACITOR	L2021		NQL144K-470X	COIL	47μH

#	△	REF No.	PART No.	PART NAME, DESCRIPTION		#	△	REF No.	PART No.	PART NAME, DESCRIPTION	
L2051			NRSA63J-0R0X	MG RESISTOR	0Ω,1/16W	CN22			QGF0507F3-14X	FFC/FPC CONNECTOR	
L2052			NRSA63J-0R0X	MG RESISTOR	0Ω,1/16W	CN25			QGB0506L1-30X	CONNECTOR	
L2071			NRSA63J-0R0X	MG RESISTOR	0Ω,1/16W	CN27			QGA1201C2-02X	CONNECTOR,B,C	
L2072			NRSA63J-0R0X	MG RESISTOR	0Ω,1/16W	CN28			QGA1002F1-13X	CONNECTOR	
L2401			NQL144K-470X	COIL,B,C	47μH	△ F6001			NMFZ007-2R0X-K	FUSE	T2.0A
L3002			NQR0006-001X	FERRITE BEAD		△ F6002			NMFZ010-R50X-A	FUSE	T0.5A
L3003			NQR0129-002X	FERRITE BEAD		SD1			LY42914-001A	SHIELD PLATE	
L3502			NQL38DK-220X	COIL	22μH	OT1			LY30016-049A	SPACER-A,FOR WR1	
L3503			NQL085J-5R6X	COIL	5.6μH	OT2			LY30029-0B6A	SPACER(A),FOR LI BATTERY	
L4005			NQL38DK-220X	COIL	22μH						
L4201			NQR0006-001X	FERRITE BEAD							
L4501			NQR0006-001X	FERRITE BEAD							
L4502			NQL034K-220X	COIL	22μH						
L4701			NQL38DK-220X	COIL	22μH						
L4702			NQL085J-560X	COIL	56μH						
L5201			NQL38DK-470X	COIL	47μH						
L5202			NQL38DK-220X	COIL	22μH						
L5203			NQL38DK-220X	COIL	22μH						
L6001			NQL52EM-100X	COIL	10μH						
L6002			NQL52EM-100X	COIL	10μH						
L6101			NQL52EM-390X	COIL	39μH						
L6106			NQL144K-101X	COIL	100μH						
L6107			NQL144K-101X	COIL	100μH						
L6201			NQL52EM-470X	COIL	47μH						
L6301			NQL52EM-390X	COIL	39μH						
L6306			NQL52EM-470X	COIL,C	47μH						
L6401			NQL52EM-470X	COIL	47μH						
L6501			NQL52EM-470X	COIL	47μH						
L6601			NQL52EM-221X	COIL	220μH						
L6602			NQL144K-221X	COIL	220μH						
L6606			NQL144K-220X	COIL	22μH						
L6701			NQL52EM-100X	COIL	10μH						
L7001			NQL38DK-220X	COIL	22μH						
L7005			NQL38DK-220X	COIL,B,C	22μH						
L7006			NQL38DK-220X	COIL,B,C	22μH						
L7007			NQL38DK-220X	COIL,B,C	22μH						
L7008			NQL38DK-220X	COIL,B,C	22μH						
L7009			NQL38DK-220X	COIL,B,C	22μH						
L7010			NQL085J-4R7X	COIL,B,C	4.7μH						
L7012			NQL144K-100X	COIL	10μH						
FL4701			NQR0005-001X	LC TRAP							
FL4702			NQR0268-001X	BAND PASS FILTER							
X101			NAX0251-001X	CRYSTAL RESONATOR							
X102			NAX0325-001X	CRYSTAL RESONATOR							
X3001			QAX0596-001	CRYSTAL RESONATOR							
WR1			WJV0039-001A	E-PRIMARY WIRE,JUMP WIRE							
△ J101			QAB0022-001	LI BATTERY							
J504			LY31356-002A	JACK UNIT							
J505			QND0068-001	S JACK							
CN1			QGF0507F3-10X	FFC/FPC CONNECTOR							
CN2			QGF0507F3-14X	FFC/FPC CONNECTOR							
CN3			QGF0505F2-18X	FPC CONNECTOR							
CN4			QGA1201F2-06X	CONNECTOR							
CN5			QGF0507F1-11X	FPC CONNECTOR							
CN7			QGF0507F3-11X	FFC/FPC CONNECTOR							
CN8			QGA1201C2-02X	CONNECTOR							
CN12			QGA1201F2-05X	CONNECTOR							
CN13			QGF0507F3-14X	FFC/FPC CONNECTOR							
CN15			QGF0507F1-22X	FPC CONNECTOR							
CN16			QGF0305F1-33X	FPC CONNECTOR,B,C							
CN18			QGF0507F3-12X	FFC/FPC CONNECTOR							